

SPECIFICATION :

1. Electrical Char.

Insulation Resistance : 500M-Ohm Min.
Contact Resistance : 20M-Ohm Max.
Rating Current : 1.5A Max.
Rating Voltage : 120V AC
Dielectric Voltage : 1,000 Vrms 60 Sec. Min.

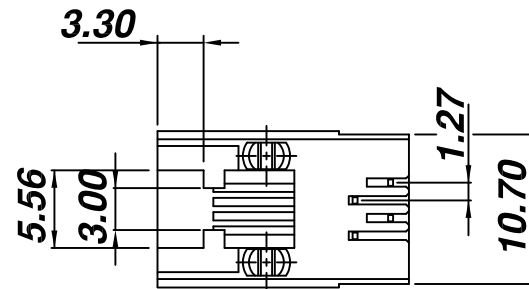
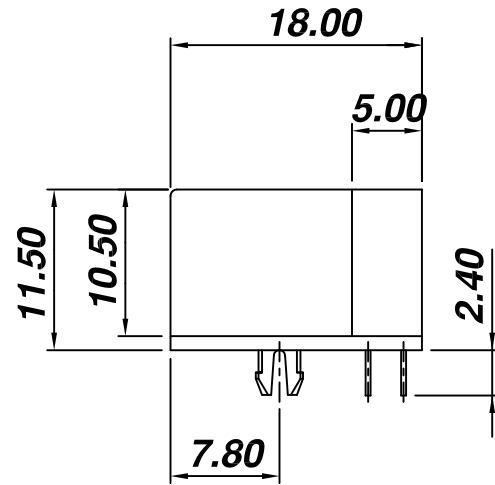
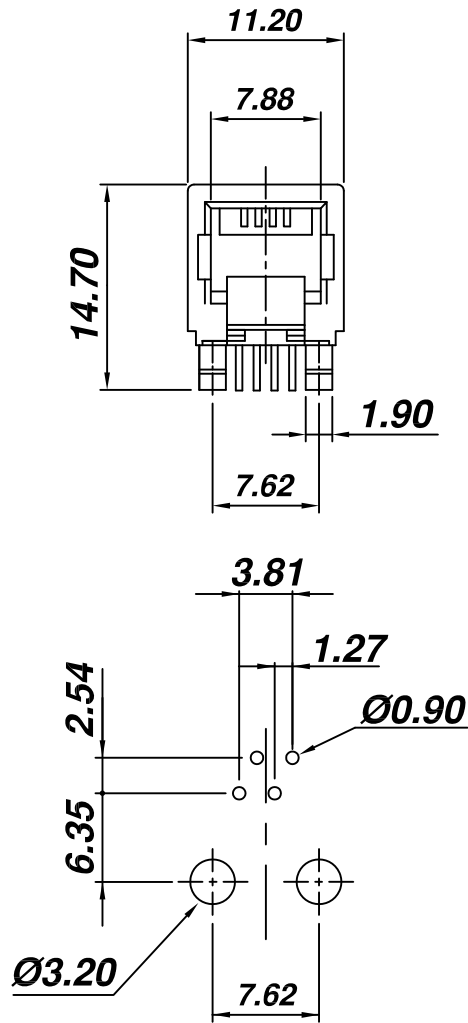
2. Physical char.

Housing : PBT Glass Filled Black (UL 94V-0)
Spring Wire : 0.35mm Thickness Phosphor Bronze
Gold Plating Over Nickel
Temperature Range : - 40°C / +85°C
Durability : 500 Mating cycles Min.

ORDER INFORMATION

AWJ-144RDXX 115 -72

A: Single Row	W: Positive Type	J: Jack	Port Number	Pin Contact	44: 4P4C	D: DIP	R: Right Angle	Plating
								G1: Gold Flash
								G4: 15u"
								G5: 30u"
								G6: 50u"
								G7: 3U"
								G8: 6u"



REV.	REVISION RECORD	DATE	General Tolerances						
A	Original	10/18/04'	LINEAR	0.0 ±0.35	ANGLES ±3°				TITLE: Modular Jack DIP RA 4P4C 11.5H DWG.NO.: AWJ-144RDXX115-72 REV. A
B	Revised	12/9/13'			UNIT: mm	SCALE	1 : 1	SHEET	
			A4	NAME	DATE				
			APPROVED	MARTIN					
			DESIGNER	MERLIN					
			DRAWN	ANGEL					